

3 Port PM Circulator (480nm)

Features:

Low Insertion Loss
High Extinction Ratio and High Isolation
High stability and reliability

Application:

Fiber Laser
Fiber Optical Instrument

Specifications:

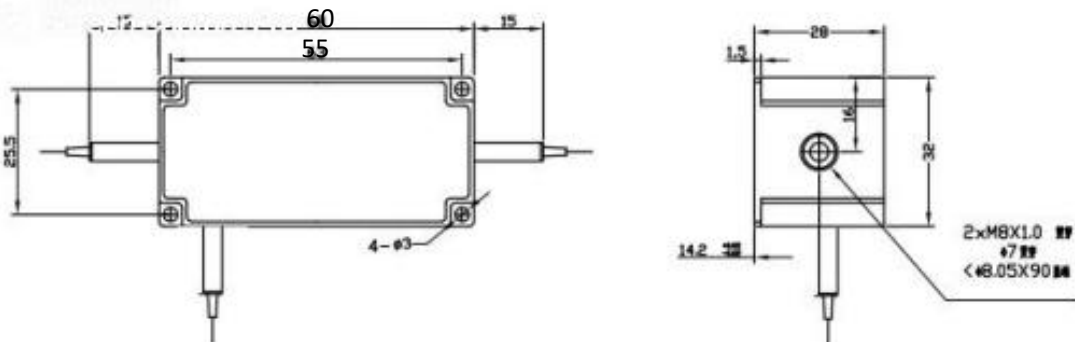
Specifications

Center Wavelength	nm	480
Operating Wavelength Range	nm	±5
Max. Isolation at 23°C	dB	20
Max. Insertion Loss at 23°C	dB	2.0
Min. PER at 23°C,	dB	16
Min. Return Loss(Input/ Output)	dB	45
Min. Cross Talk	dB	45
Max. Average Optical Power	MW	300
Max. Tensile Load	N	5
Fiber		PM460
Package Dimension	mm	60x32x28
Operating Temperature	°C	+10~+50
Storage Temperature	°C	0~+60

*Above specifications are for devices without the connectors.

*For devices with connectors, IL will be 0.3dB higher, RL will be 5dB lower

Packing Dimensions:



Ordering Information

PM CIR	Wavelength	00000	Pigtail Type	Length	Connector
	480=480		1=900u m loose tube	H=0.5m 8=0.8m 1=1.0m S=others	0=None 1=FC/UPC 2=FC/APC