

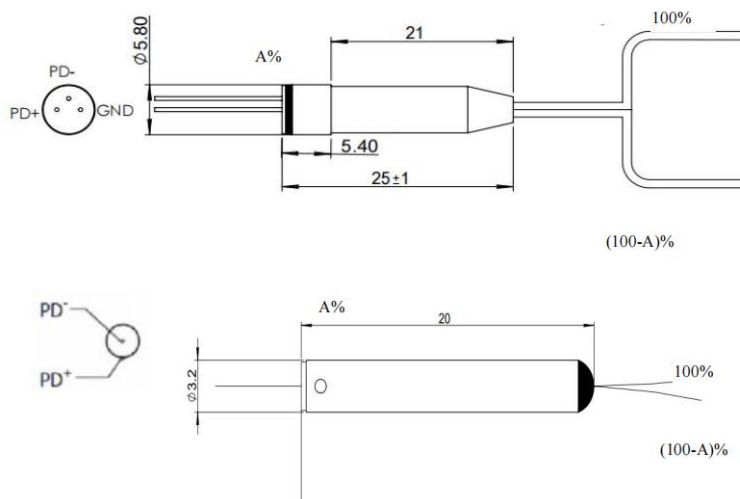
Tap-PD Monitor

	Lightstar	
Spec. Number		
Date	2018-4-25	
Lightstar Part Number		

Specifications

Parameter	Value			
Operating wavelength(nm)	1550			
Bandwidth(nm)	1530-1570			
Tap Ratio(%)	1%	2%	5%	10%
Min Responsibility(mA/W)	8.5	18	42	70
Insertion Loss(dB)	≤ 0.4	≤ 0.5	≤ 0.6	≤ 0.9
PDL(dB)	≤ 0.1			
PMD(ps)	≤ 0.1			
Dark Current (nA)	≤ 1.0 (@25°C, 5V bias)			
Bandwidth (Ghz)	3			
Return loss(dB)	≥ 40			
Fiber Type	SMF-28e			
Operating temperature (°C)	0 ~ +70			
Storage temperature(°C)	-40 ~ +85			
Power Handling (mW)	≤ 300			
Dimensions(mm)	$\Phi 5.6 \times L25$ (Normal size) $\Phi 3.2 \times L20$ (Mini Size)			

Package Dimensions



Ordering Information

TPD	Wavelength	Coupling Ratio	Package	Fiber type	0000	Pigtail Type	Length	Connector
	55=1550	1=1/99 2=2/98 5=5/95 A=10/90 S=Other	1=φ5.6* 25 2=Φ3.2 × L20	1=G657A1 S=Specify	000 0	1=250um bare fiber 2=900um loose tube	H= 0.5m 8= 0.8m 1= 1m S=Other	0=None 1=FC/UPC 2=FC/APC 3=SC/APC 4=SC/UPC 6=LC/PC 7=LC/APC