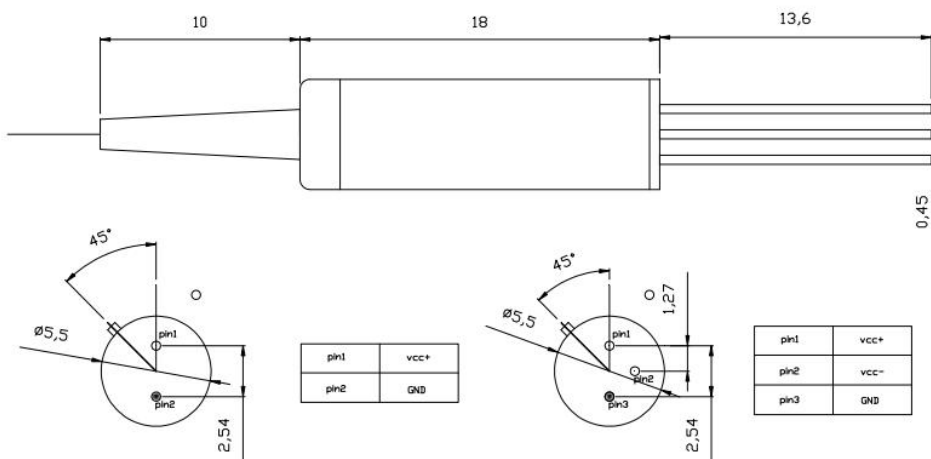


## MEMS VOA (SM or PM Fiber)

### Specifications:

Parameter	Value				
Wavelength(nm)	850	980	1064	1310	1550
Attenuation Type(nm)	Bright or Dark				
Attenuation Range (dB)	≥30				
Insertion Loss(dB)	≤1.5	≤1.2	≤1.2	≤0.8	≤0.8
Attenuation Resolution(dB)	Continuous				
PER(dB)	≥20				
PDL (dB)	<0.1 @0dB,<0.3 @20dB				
Wavelength Dependent Loss(dB)	Regular WDL ≤1.0 @15dB Low WDL ≤0.5 @15dB				
Return Loss(dB)	≥45				
Fiber Type	HI780 or PM780HP	HI1060 or PM980	HI1060 or PM980	PM1310 SMF-28e	PM1550 SMF-28 e
Response Time(10-90%optical power)	≤3				
Driving Voltage(V)	0~5V				
Driving Power(mW)	≤2				
Maximum Optical Power(mW)	≤300				
Operating Temperature (°C)	-0 ~+70				
Storage Temperature(°C)	-40 ~+85				
Package Dimensions(nm)	Φ5.6XL18 (STG PACKAGE) Φ3.5XL16 (MINI PACKAGE)				

Notes: 1.specified without connectors;



**Ordering Information:**

SVOA	wavelength	Type	Drive voltage	WDL	PIN	Fiber type	Pigtail Length	Pigtail Type	Fiber Length	Connector
	3=850nm 4=980nm 5=1060nm 6=1310nm 7=1550nm	B=Bright D=Dark	5=0~6.5v	1=Regular WDL 2=Low WDL	2=2PIN 3=3PIN	1=PM Fiber 2= SM Fiber	H=0.5m 1=1.0m X=Specify	1=250um bare fiber 2=900um loose tube	8=0.75m 1=1.0m 2=2.0m X=Specify	0=None 1=FC/UPC 2=FC/APC 3=SC/APC 4=SC/UPC 6=LC/PC 7=LC/APC X=Specify