

2X2 POLARIZATION BEAM SPLITTER

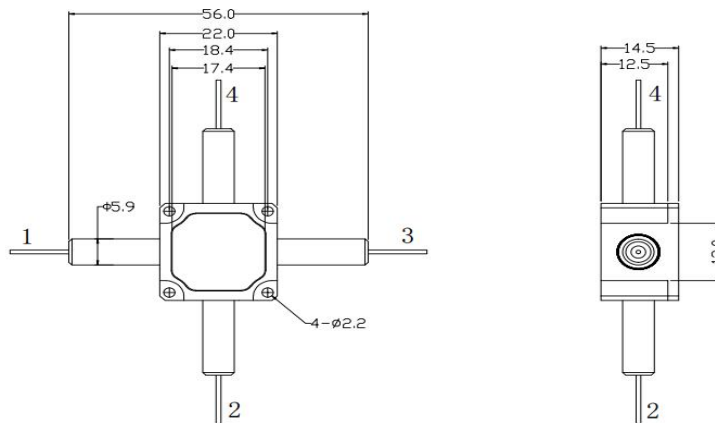
Specifications

Parameter	Value
Wavelength (nm)	1550, 1064
Operating Bandwidth (nm)	+/-20
Insertion Loss (dB) @ P1 to P3,P2, P2 to P4,P3	≤1.0
Extinction Ratio (dB)	≥18
Directivity (dB) (1-4, 2-3)	≥50
Return Loss (dB)	≥50
Power Handling (mW)	≤300
Fiber Type	PM fiber
Operating Temperature (°C)	-5 ~ +70
Storage Temperature (°C)	-40 ~ +80
Dimensions (mm)	56.0*56.0*14.5

*Above specifications are for device without connector.

*For devices with connector, IL will be 0.3dB higher and RL will be 5dB lower.

Package Dimensions



Ordering Information

FPBS	Wavelength	000	Fiber Type	Pigtail Type	Length	Connector
	1550=1550nm 1064=1064nm 0980=980nm		1= PM Fiber	2=900um loose tube	H=0.5m 7=0.75m 1=1.0m	0=None 1=FC/UPC 2=FC/APC