

Polarization Maintaining Filter WDM

Specifications;

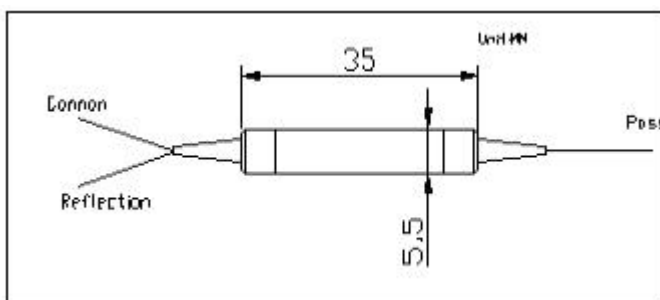
Parameter	2000/1560	1700/1580
Pass wavelength (nm)	1900~2000,	1700~2100
Reflection wavelength (nm)	1540-1590	1500-1580nm
Pass Insertion Loss (dB)	≤1.0	
Reflection Insertion Loss (dB)	≤0.8	
Pass channel Isolation (dB)	≥30	
Reflection Isolation (dB)	≥15	
Channel Flatness (dB)	≤0.3	
Extinction Ratio (dB)	≥20	
Return Loss (dB)	≥50	
Power handling CW (mW)	≤500	
Fiber Type	PM1550 (MFD10.5 NA 0.12 or PM1950 (MFD8.0 NA 0.20)	
Operating temperature (°C)	0 ~ +65	
Storage temperature (°C)	-40 ~ +85	
Dimensions (mm)	φ5.5 × L35(P1)	

*Above specifications are for devices without the connectors.

*For devices with connectors, IL will be 0.3dB higher, RL will be 5dB lower, and ER will be 2dB lower.

*The PM fiber and the connector key are aligned to the slow axis.

Package Dimensions:



Ordering Information :

PMFWDM	Wavelength	Port Type	Fiber type on reflection	Pigtail Type	Length	Connector
	2015=T2000R1560 1780=1700-2100R1 00-1580	2=1x2	1=PM1550 2=PM1950	1=250um bare fiber 2=900um loose tube	H=0.5m 7=0.7m 8=0.8m 1=1m	0=None 1=FC/UPC 2=FC/APC S=Specify