

## High Power PM Isolator (100W)

### Features:

Low Insertion Loss High Isolation & Return Loss  
High reliability

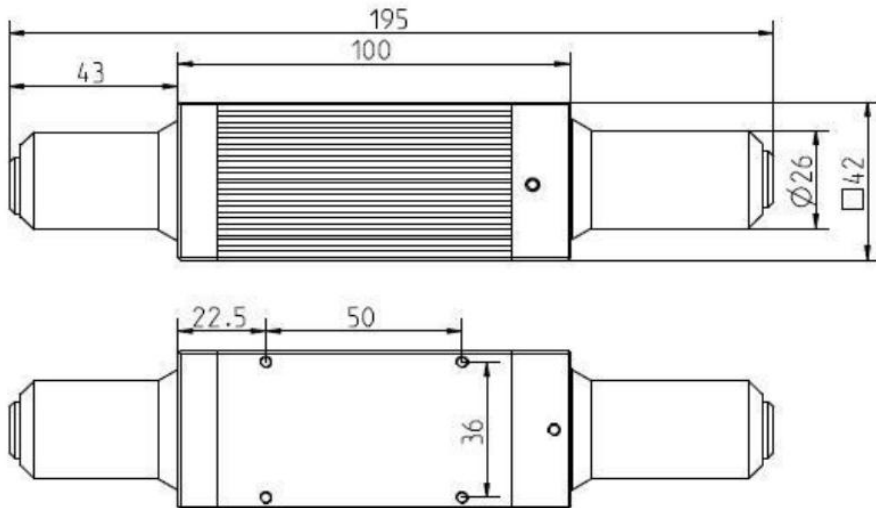
### Application:

Fiber Laser & Amplifier

### Specification

Parameter	Unit	Value
Center Wavelength	nm	1030、1064 or specify
Operating Wavelength Range	nm	$\pm 10$
Insertion Loss @23°C	dB	$\leq 1.0$
Isolation @23°C	dB	$\geq 25$
ER	dB	$\geq 20$
Fiber Type	-	PM1060L, , PLMA-GDF-15/130DC, PLMA-GDF-20/130DC
Return loss	dB	$\geq 50$
Average Power handling	W	100W
Peak Power	Kw	10
Operating temperature	°C	0~+50
Storage temperature	°C	-20~+85

### Package dimension:



Ordering Information:

HPMIS	Wavelength	Power	Fiber Type	Pigtail Type	Length	00
	1030=1030 1064=1064	AA:100W	<b>1=PM1060L</b> <b>2=PLMA-GDF-1</b> <b>5/130DC</b> <b>3=PLMA-GDF-2</b> <b>0/130DC</b>	2=900um loose tube	H=0.5m 7=0.7m 1=1.0m S=Specify	