

780, 850nm High Power In Line Optical Isolator

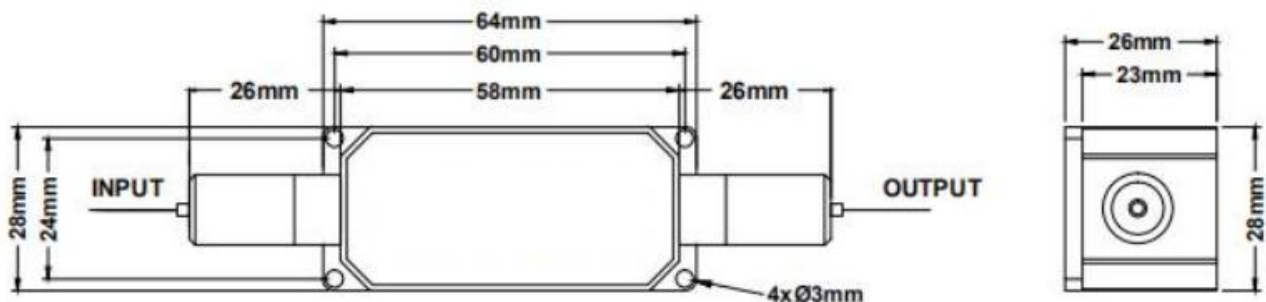
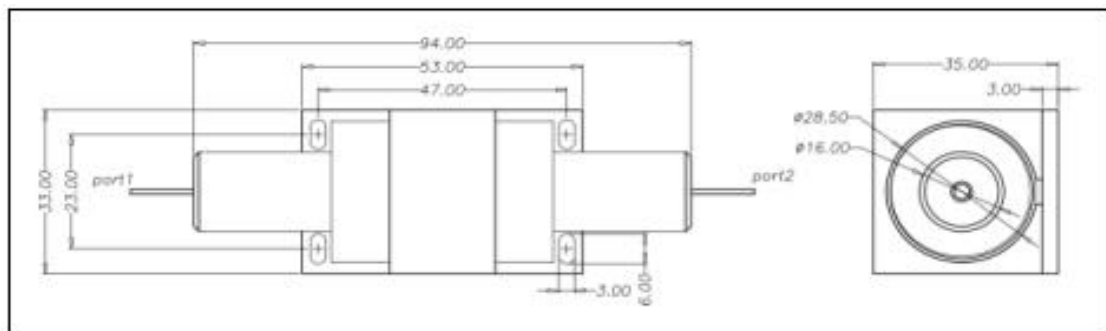
Features:
Low Insertion Loss High Isolation & Return Loss
High reliability
Application:
Fiber Laser & Instrumentation
OCT

Specifications:

Parameter	Value
Center wavelength (nm)	850, 780
Bandwidth (nm)	±10
Insertion Loss @23°C	≤1.2
Peak Isolation (dB)	32~40
Isolation at 23°C(dB)	≥25
PDL(dB) For Single Mode Fiber	≤0.15
PER(dB) For PM Fiber	≥ 20
Return loss (Input/output) (dB)	≥50/50
Power handling CW (W)	0.3,1,5 or specify
Fiber Type	HI780 fiber or PM850
Operating temperature (°C)	0 ~ +65
Storage temperature (°C)	-20 ~ +85
Package Dimension (mm)	94*33*35

For device with connector, the IL will be 0.3dB higher and RL will be 5dB lower, the max handling power will be only 1W guaranteed

For PM fiber, the default working axis: slow Axis working, fast axis blocked

Package dimension:


Ordering Information:

HPIIS/HPMIS	Wavelength	Polarization Type	Power	Fiber Type	Pigtail Type	Length	Connector
HPIIS =Insensitive HPMIS PM Fiber	0850=850nm 0780=780nm	I= Insensitive S= Sensitive	0=300mW 5=5W S=specify	3=HI780fiber 4=PM980 S= Specify	2=900um loose tube	H=0.5m 8=0.75m A=2.5m S=Specify	0=None 1=FC/UPC 2=FC/APC S=Specify