

## Optical PM Fiber Pigtail

### Features

Fine polishing surface,  
Accurate polishing angle  
High Reliability

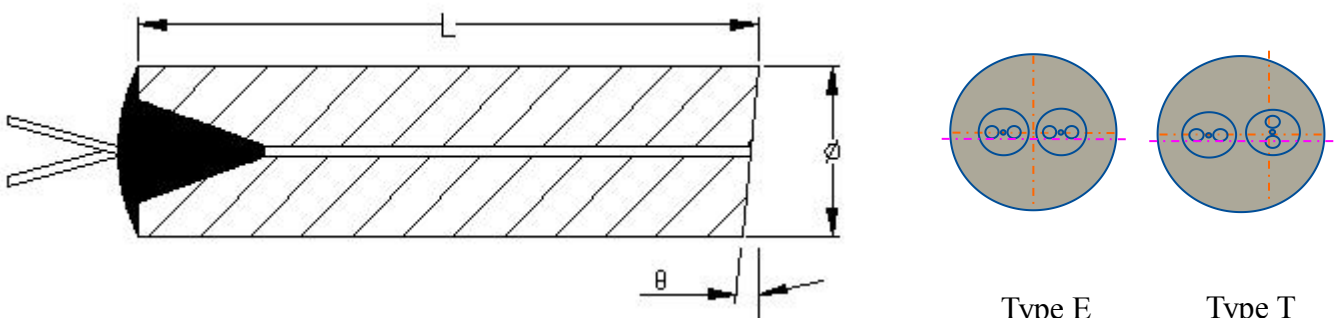
### Application

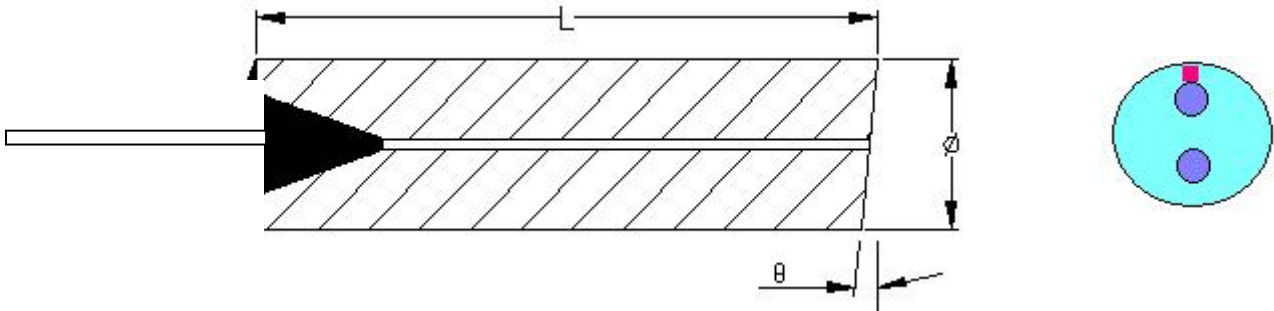
Optical laboratories.  
Collimator assembly.

### Specifications:

Parameter		Single&Dual Fiber			
Center Wavelength(nm)		1310 or 1550	980,1064	780,850	532, 635
Operation Wavelength range(nm)		1260-1620	900-1100	700-900	500-700
Capillary Diameter(mm)		1.8± 0.5			
Fiber Core Spacing(um)		125 or 143			
Capillary Length (mm)		5.5 ± 0.5, 6.25 ±0.25 or customized			
Polishing Angle (degree)		8°±0.5° or 0°±0.5° or 12°±0.5°			
Polishing Direction(degree)		≤5			
Fiber Length(m)		1.0 , 1.3 or Specify			
Extinction Ratio (dB) @23 °C	Single Fiber	≥23			
	125 Spacing	≥21			
	143 Spacing	≥23			
Return Loss min (dB)	0°	≥50			
	8°	≥60			
Scratch/Dig		Scratches:width≤2um(pass);total length≤0.8mm(<2um<width≤10um)(pass);Width>10um (reject); Defects:size≤5um(pass);size>20um(reject);total defects≤3(5um<size≤20um).			
AR-coating		R < 0.25%			
Ferrule Material		Silica quartz glass Tube	Ceramic Tube	Au-Golden SUS	
Size(mm)		OD 1.8xL6 OD 1.0x5	OD 2.5x10.5	OD1.5xL12	
Operating temperature(°C)		-5~ + 70			
Storage temperature(°C)		-40~ + 85			

### Fiber Orientation





**Ordering Information**

PMFP	Wavelength	Capillary Diameter	Fiber core Spacing	Fiber type	Panda Type	Capillary Length	Polishing Angle	AR Coating	High power	Pigtail Type	Fiber Length	Connector
PMFP	05=532nm 06=635nm 07=780nm 08=850nm 09=0980 64=1064nm 15=1550nm 16=1650nm XXXX:other wavelength	1=1.8mm 2=1.0mm 3=2.5mm	N=N/A(only for Single Fiber) 0=125um 1=143um X=other distance	X=refer below code	N=N/A(only for Single fiber) E=Type E T=Type T	1=5.5 ± 0.5, 2=6.25±0.25 3=4.2±0.25 S=other	0=0° 8=8° 2=12°	1=AR Coating 0=NO Coating	1=End Cap 2=No End Cap 3=TEC	1=bare fiber	8=0.8m 1=1.0m 2=2.0m S=Specify	0=None 1=FC/UPC 2=FC/APC 3=SC/APC 4=SC/UPC 5=ST/UPC 6=LC/PC 7=LC/APC S=Specify

Code	Spec
001	G625D NA0.12 (R15mm)
002	G657A1 NA 0.12 (R10mm)
003	G657A2 NA 0.12 (R7.5mm)
004	G657B3 NA 0.12 (R5mm)
005	HI1060 NA 0.14 (MFD 5.9 @980nm, 6.2@1060 nm)
006	HI1060FLEX NA 0.22 (MFD 4.0um @980nm, 6.3um @1550nm)
007	SM980 NA 0.16 (MFD5.0@980 nm, 7.5@1550 nm)
008	HI780 NA 0.14 MFD 5um
009	630-HP NA 0.13, MFD 4um
010	460-HP NA 0.13, MFD3.5um
011	405-HP NA 0.13, MFD3.5um
012	SM1950 NA 0.22, MFD 9
013	RC SM1550 (RC1017-F) MFD 6um, NA0.22
014	RC SM1310 (RC1016-F) MFD5.5 , NA 0.21
015	RC SM980 (RC1015-F) MFD4.0um NA0.21
050	OM1 62.5/125 (NA 0.29)
051	OM3 50/125 (NA 0.20)
052	OM4 50/125 (NA 0.20)
053	OM5 50/125 (NA 0.20)
054	105/125 NA 0.22
055	200/220 NA 0.22
080	PM1550 (SM15-PS-U25D) MFD10 NA 0.12
081	PM980 (SM98-PS-U25D) MFD6 NA 0.12
082	PM780 (SM85-PS-U25D) MFD5 NA 0.12
083	PM630 (PM630-HP) MFD3.5 NA 0.12
084	PM460 (PM460-HP) MFD3.0 NA 0.12
085	PM1550 (BISM15-PX-U25D-H R7.5mm)
100	PM1060L 10/125 MFD10.5um, NA 0.08
101	PLMA-GDF-10/125-M MFD11um, NA 0.08
102	12/125(FUD3561) MFD 12um NA 0.075
103	PLMA-GDF-20/130 (NA 0.08/0.46)
104	PLMA-GDF-25/250/395 (NA 0.065/0.46)
105	PLMA-GDF-30/250/395 (NA 0.065/0.46)
106	PLMA-GDF-12/130-M NA 0.20/0.46